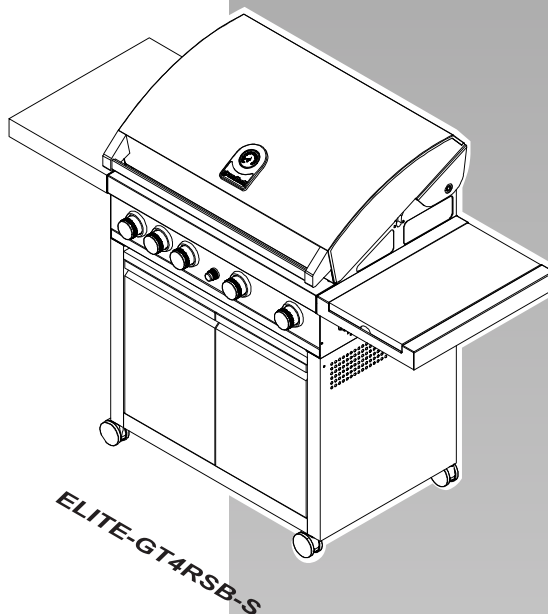
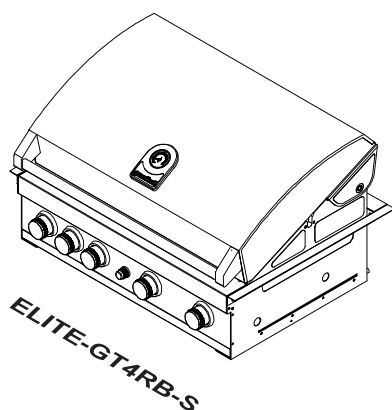


gas barbecue



- Ⓘ Ⓒ Assembly instructions
- Ⓒ Ⓕ Instructions d'assemblage
- Ⓐ Ⓒ Ⓓ Montageanweisungen
- Ⓒ Ⓘ Istruzioni per il montaggio
- Ⓒ Ⓓ Montage-instructies
- Ⓒ SE Montering
- Ⓒ FI Kokoamisohjeet
- Ⓒ ES Instrucciones de armado
- Ⓒ PT Instruções para Montagem
- Ⓒ DK Monteringsvejledning
- Ⓒ NO Montering
- Ⓒ HR Upute za montažu
- Ⓒ SI Navodila za montažo

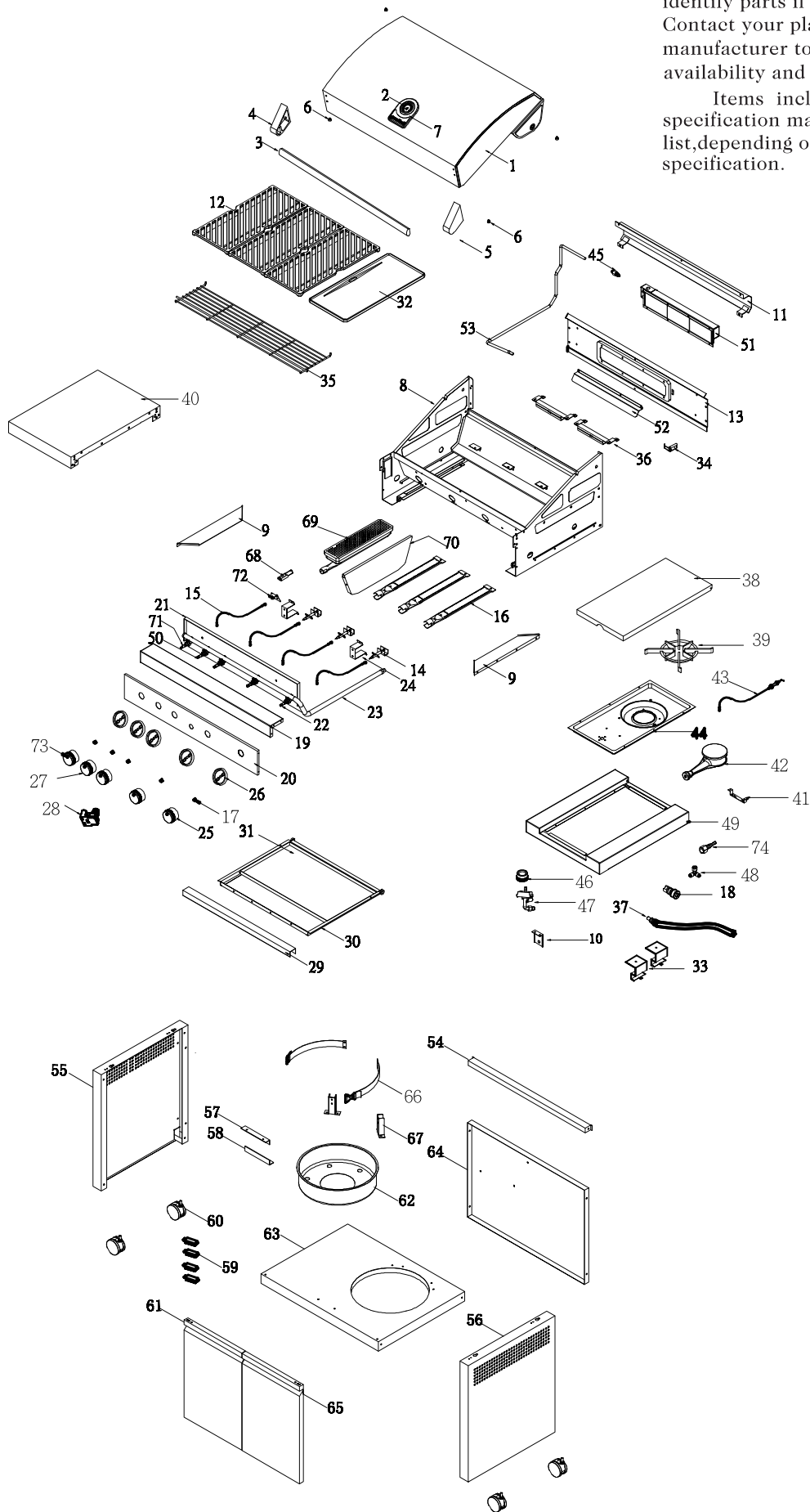
PART LIST - GT4RSB-S

<i>Ref</i>	<i>Description</i>	<i>Part No.</i>	<i>Qty</i>	<i>Ref</i>	<i>Description</i>	<i>Part No.</i>	<i>Qty</i>
1	Lid Assembly	P0014742E4	1	40	Side Shelf, Left	P011020684	1
2	Temperature Gauge	P00601484C	1	41	Side Burner Mounting Brakcet	P03327024D	1
3	Lid Handle	P00218014R	1	42	Side Burner	P02004043F	1
4	Lid Handle Seat (Left)	P03303124A	1	43	Electrode- Side Burner	P02607060C	1
5	Lid Handle Seat (Right)	P03303125A	1	44	Side Shelf Body	P011030612	1
6	Lid Rubber Pad	P05518002I	4	45	Rear Burner Valve Orifice-30mbar	P06531001A	1
7	Name plate	P00407036A	1	46	Control Knob - side burner	P03408101L	1
8	Bowl Set	P0076703B4	1	47	Valve- Side Burner	P03250007G	1
9	Bowl Grease Shield	P06901030B	2	48	Adaptor-1/4 LH inlet	P03904002A	1
10	Burner Bracket-Side Burner	P03303150U	1	49	Side Shelf Trim Plate	P011260244	1
11	Heat Shield- Rear Burner	P06905080B	1	51	Valve - Rear Burner- without jet	P03239013A	1
12	Grill Plate	P01615052H	3	50	Rear Burner Body Set	P02007072A	1
13	Bowl Wind Shield	P0074808R4	1	52	Wind Shield - Rear Burner	P069060824	1
14	Gas Collector Box with Electrode	P02609055A	3	53	Aluminum tube- Rear Burner	P03717065B	1
15	Electric Wire Set	P02615197A	1Set	54	Door guid - upper	P055101454	1
16	Main Burner	P02008085B	3	55	Trolley Panel, Left	P076170524	1
17	Knob Seat Spring	P05504021A	5	56	Trolley Panel, Right	P076180554	1
18	Quick connect , female	P03912001A	1	57	Door-Guide-Upper	P033020404	1
19	Upper control Panel-30mbar	P81109332J	1	58	Door-Guide - Lower	P055101414	1
	Upper control Panel-50mbar	P81109333J	1	59	Magnet seat	P05523001K	4
20	Control Panel	P0291592IS	1	60	2.5" caster	P05118004A	4
21	Gas Valve Heat Shield	P0300819DG	1	61	Door-L	P043020634	1
22	Main Valve-without jet	P03239012A	3	62	Gas cylinder housing	P04021013H	1
23	Manifold	P05006162A	1	63	Trolley Bottom Panel	P010090464	1
24	Gas Valve Heat Shield Bracket	P03327107A	2	64	Trolley Panel, Rear	P076240054	1
25	Control knob - main burner	P03401477K	3	65	Door-R	P043030634	1
26	Knob Seat	P03415014S	5	66	Tank Fastening Strap	P05314005V	1
27	Control knob - Back burner	P03436147A	1	67	Tank holder	P04009036C	2
28	Electric Ignitor	P02502265C	1	68	Searing Burner Electrode	P02614061A	1
29	Grease Tray Handle	P00213039M	1	69	Searing Burner	P02005032A	1
30	Grease Tray Holder Bracket	P03327111D	1	70	Searing Burner Heat Shield	P0077002B4	1
31	Grease Tray	P02717837D	1	71	Searing Valve-without jet	P032480095	1
32	Hotplate	P05701049H	1	72	Searing Burner Electrode Bracket	P033271154	1
33	Side burner hose bracket	P03341002Q	2	73	Control knob - Searing burner	P03436147A	1
34	Electrode- Rear Burner	P02614025A	1	74	Universal Hose Bar -1/4 LH inlet	P03901024A	1
35	Warming Rack	P01516030K	1		Hardware Pack	P06028033A	1
36	Crossfire box	P022123984	2				
37	Quick connect with hose, male	P03711041I	1				
38	Side Shelf Lid	P0011555E4	1				
39	Side Shelf Pot Support	P00815008A	1				

GT4RSB-S Model

This diagram is provided to assist you identify parts if replacement is necessary. Contact your place of purchase or the manufacturer to inquire about parts, availability and service.

Items included in your barbecue specification may differ from the parts list, depending on region or specific dealer specification.



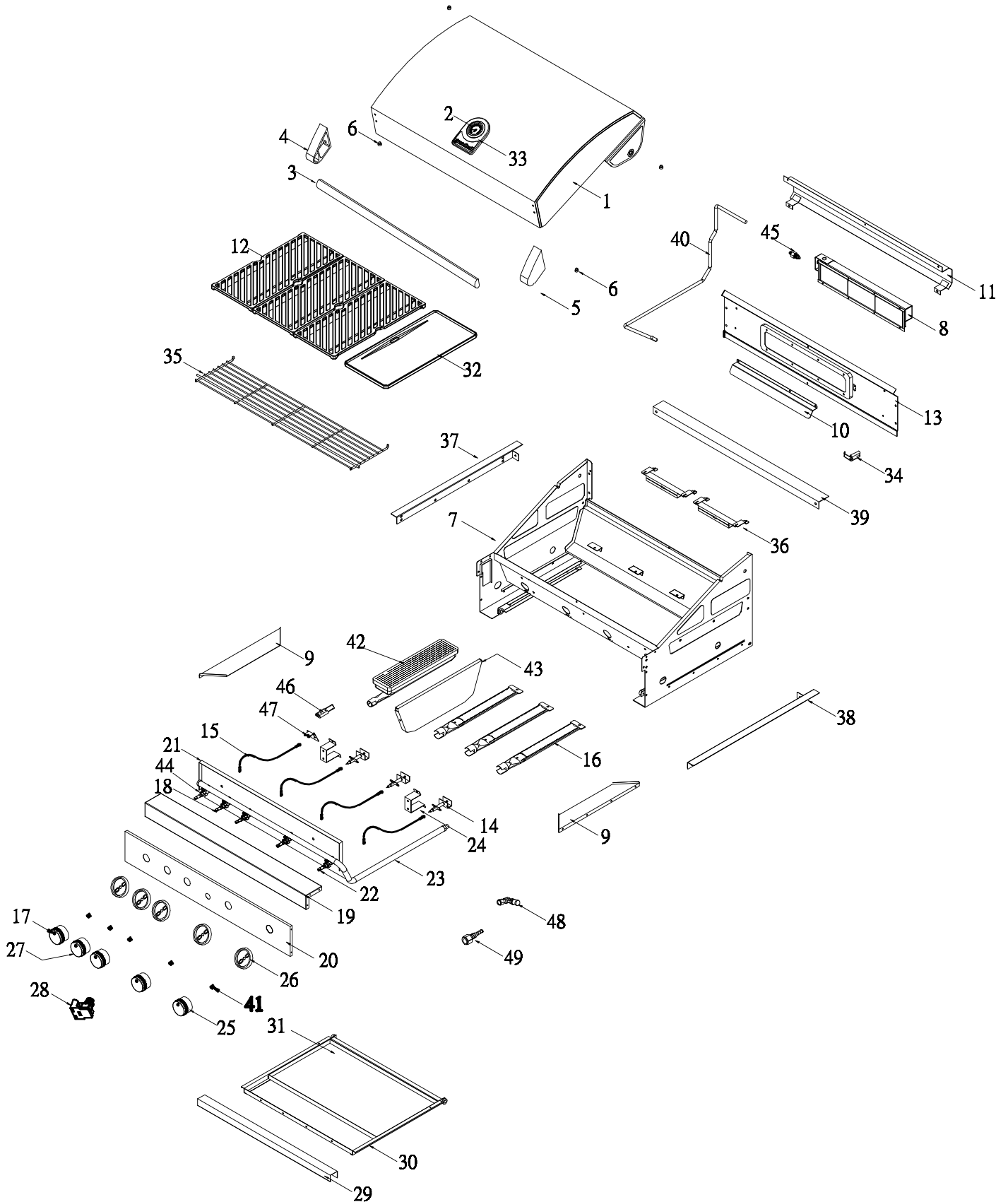
PART LIST - GT4RB-S

<i>Ref</i>	<i>Description</i>	<i>Part No.</i>	<i>Qty</i>
1	Lid Assembly	P0014742E4	1
2	Temperature Gauge	P00601484C	1
3	Lid Handle	P00218014R	1
4	Lid Handle Seat (Left)	P03303124A	1
5	Lid Handle Seat (Right)	P03303125A	1
6	Lid Rubber Pad	P05518002I	4
7	Bowl Set	P0076703B4	1
8	Rear Burner Body Set	P02007072A	1
9	Bowl Grease Shield	P06901030B	2
10	Wind Shield - Rear Burner	P069060824	1
11	Heat Shield- Rear Burner	P06905080B	1
12	Grill Plate	P01615052H	3
13	Bowl Wind Shield	P0074808R4	1
14	Gas Collector Box with Electrode	P02609055A	3
15	Electric Wire Set	P02615197A	1Set
16	Main Burner	P02008085B	3
17	Control knob - Searing burner	P03436147A	1
18	Valve - Rear Burner- without jet	P03239013A	1
19	Upper control Panel-30mbar	P81109332J	1
	Upper control Panel-50mbar	P81109333J	1
20	Control Panel-30mbar	P02915931S	1
21	Gas Valve Heat Shield	P0300819DG	1
22	Main Valve-without jet	P03239012A	3
23	Manifold	P05006162A	1
24	Gas Valve Heat Shield Bracket	P03327107A	2
25	Control knob - main burner	P03401477K	3
26	Knob Seat	P03415014S	5
27	Control knob - Back burner	P03436147A	1
28	Electric Ignitor	P02502265C	1
29	Grease Tray Handle	P00213039M	1
30	Grease Tray Holder Bracket	P03327111D	1
31	Grease Tray	P02717837D	1
32	Hotplate	P05701049H	1
33	Name plate	P00407036A	1
34	Electrode- Rear Burner	P02614025A	1
35	Warming Rack	P01516030K	1
36	Crossfire box	P022123984	2
37	Bowl support bracket- Left	P075140614	1
38	Bowl support bracket- Right	P075140624	1
39	Bowl support bracket- Rear	P075150264	1
40	Aluminum tube- Rear Burner	P03717065B	1
41	Knob Seat Spring	P05504021A	5
42	Searing Burner	P02005032A	1
43	Searing Burner Heat Shield	P0077002B4	1
44	Searing Valve-without jet	P032480095	1
45	Searing Valve Orifice-30mbar	P06517063A	1
46	Searing Burner Electrode	P02614061A	1
47	Searing Burner Electrode Bracket	P033271154	1
48	Adaptor-1/4 LH inlet	P03902031A	1
49	Universal Hose Bar -1/4 LH inlet	P03901024A	1
	Hardware Pack	P06027003A	1

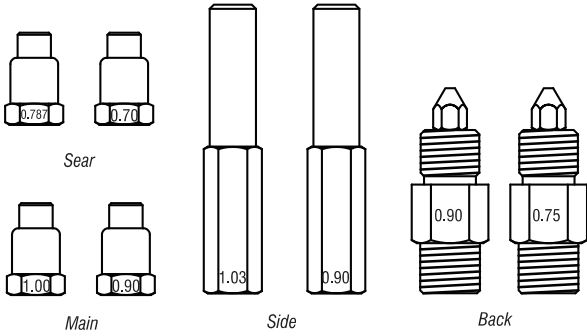
GT4RB-S Model

This diagram is provided to assist you identify parts if replacement is necessary. Contact your place of purchase or the manufacturer to inquire about parts, availability and service.

Items included in your barbecue specification may differ from the parts list, depending on region or specific dealer specification.



INJECTOR

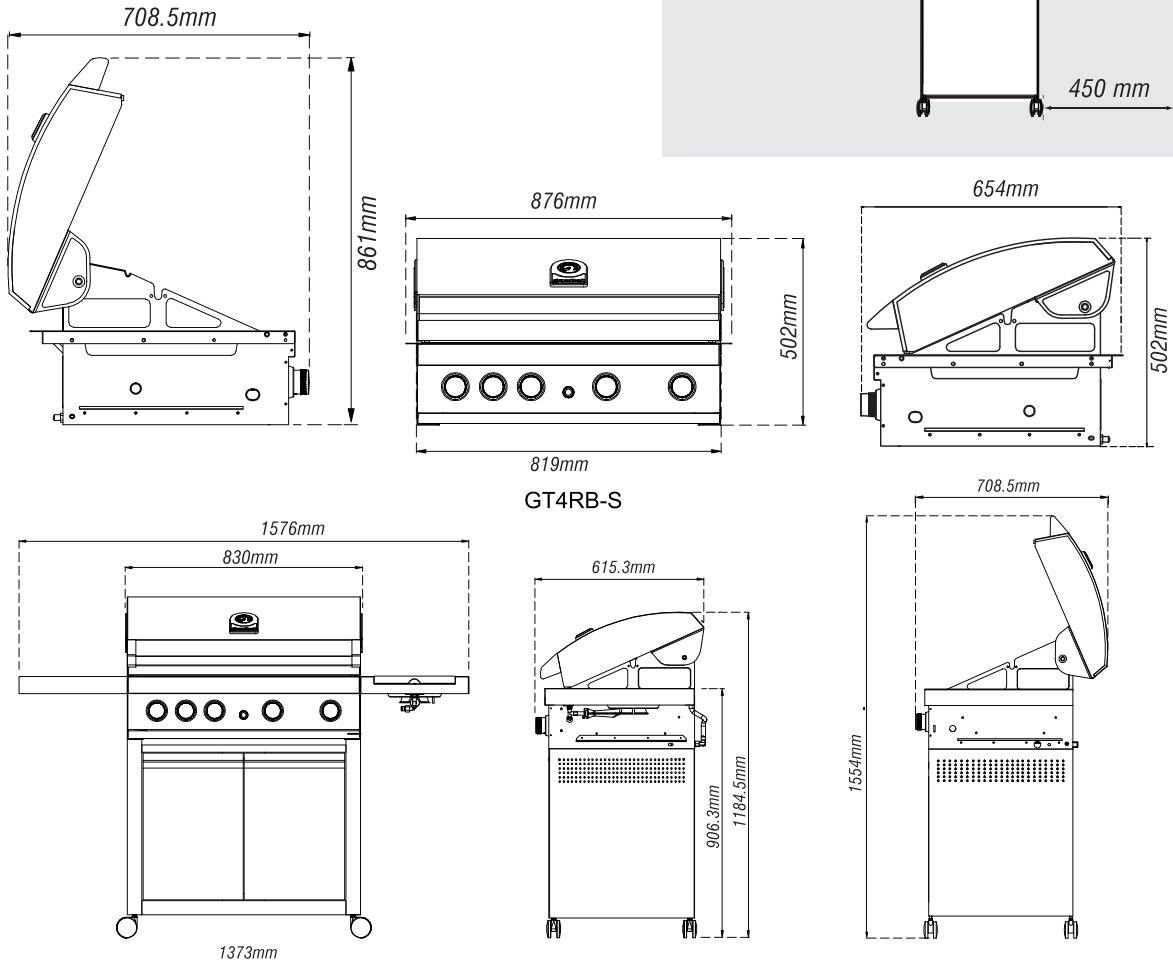


•Main	1.00 mm	- I 3+ (28-30/37)
		- I 3B/P (30)
•Side	0.90 mm	- I 3B/P (50)
	1.03 mm	- I 3+ (28-30/37)
•Back	0.90 mm	- I 3B/P (50)
	0.90 mm	- I 3+ (28-30/37)
•Sear	0.787 mm	- I 3+ (28-30/37)
	0.70 mm	- I 3B/P (50)

INPUT

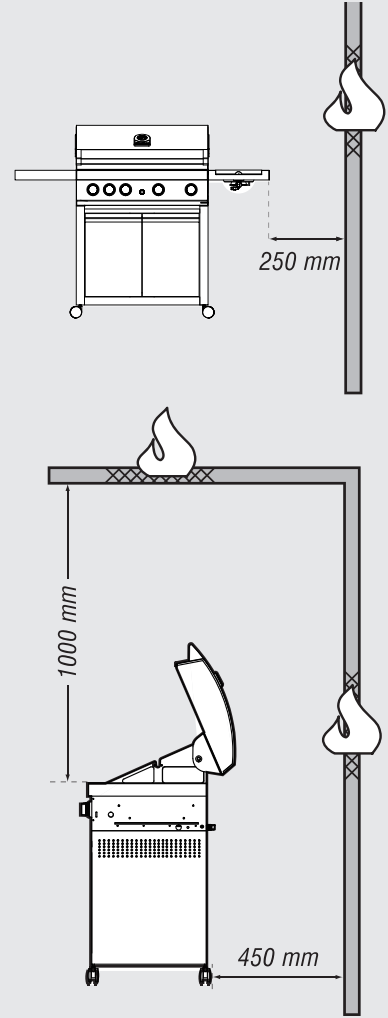
•Main	4 burner	16.8 kW	- 1220 grams / h
•Side		4.4 kW	- 319 grams / h
•Back		3.2 kW	- 232 grams / h
•Sear		2.5 kW	- 182 grams / h

DIMENSIONS

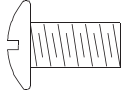


WARNINGS INFORMATION

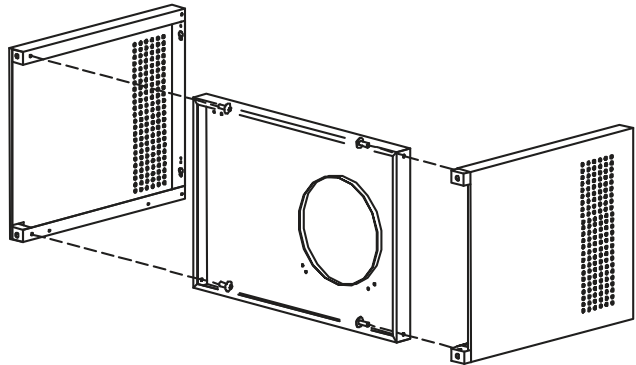
- **MINIMUM CLEARANCES FROM COMBUSTIBLE MATERIALS MUST BE:**
REAR - 450 mm
SIDES - 250 mm
TOP - 1000 mm



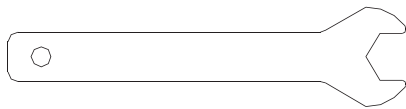
1. Install Trolley Side Panels onto Trolley Bottom Shelf



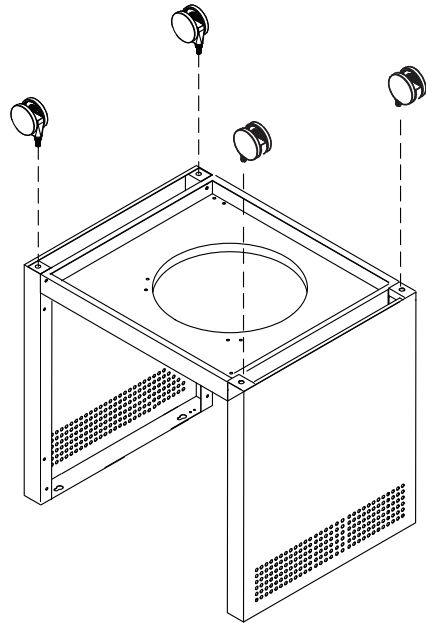
Phillips Head Screw 1/4"x1/2"
Qty.4



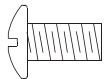
2. Install Casters



Spanner
Qty.1



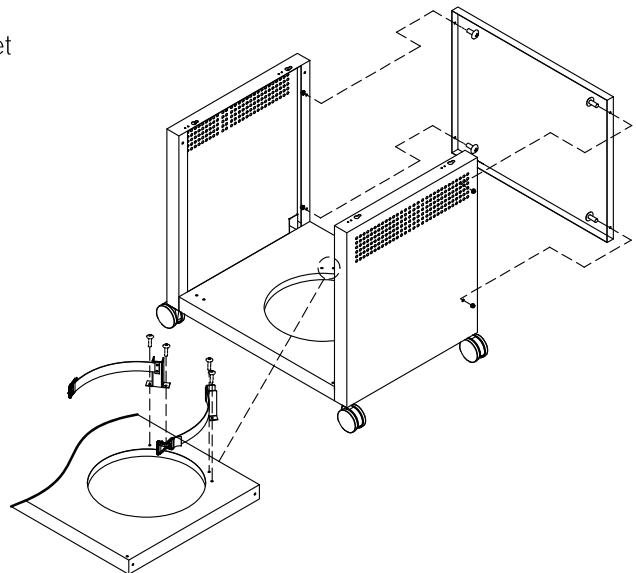
3. Install Trolley Rear Panel and gas cylinder bracket



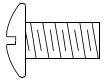
Phillips Head Screw 3/16"x3/8"
Qty.8



Flange Nut 3/16"
Qty.4



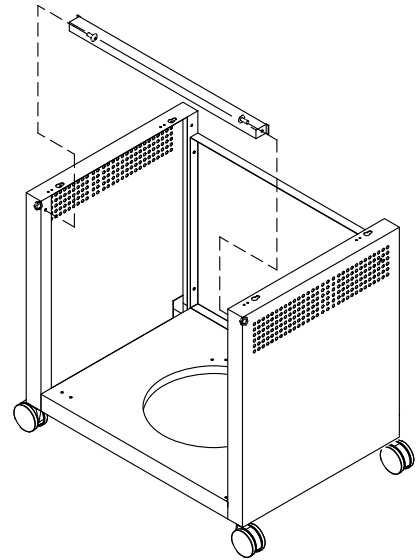
4. Install Door Bracket



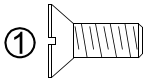
Phillips Head Screw 3/16"x3/8"
Qty.2



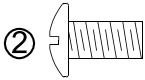
Flange Nut 3/16"
Qty.2



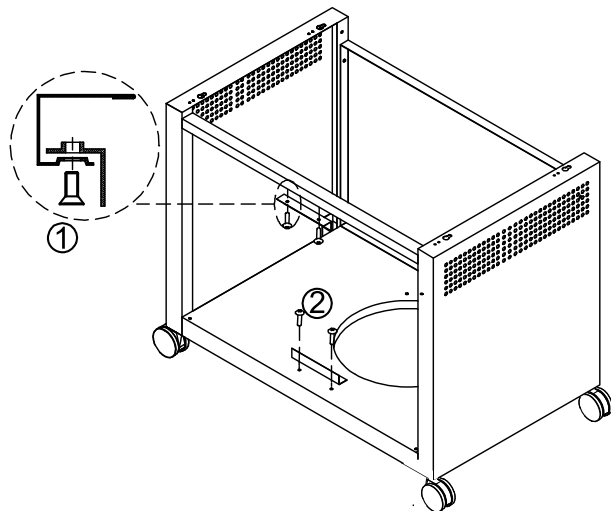
5. Install Door Stop Plate



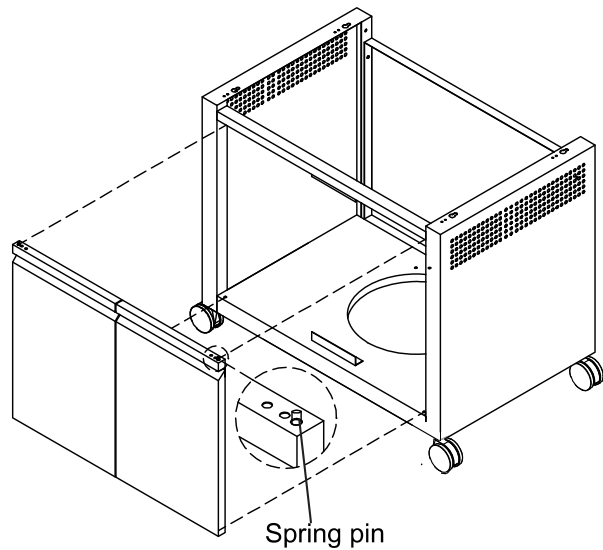
Countersunk Flat Head Screw 3/16"x3/8"
Qty.2



" Phillips Head Screw M5x10MM
Qty.2

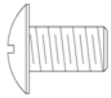


6. Install Doors

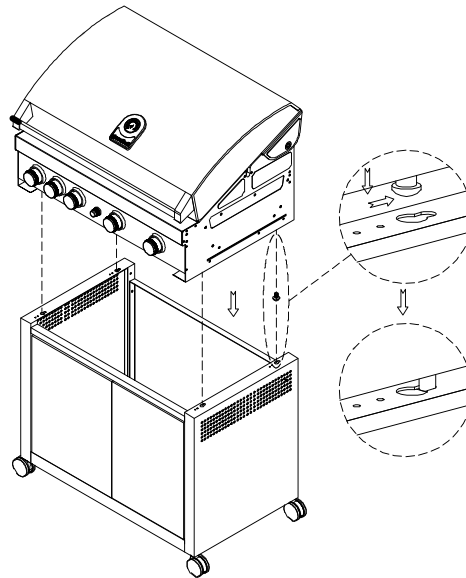


7. Install The Barbecue head to the trolley

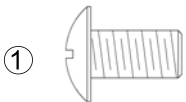
- Note: Installation requires two persons Remove all componets from the barbecue head.
- Partially install the screws to the underside of the barbecue
- Locate the screw head into the keyholes on the top face of the trolley side panels, slide back to lock into position, tighten screws.



Phillips Head Screw 1/4"x1/2"
Qty.4



8. Install Side Shelf/Side Burner



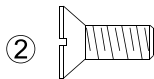
Phillips Head Screw
1/4"x1/2"
Qty.4



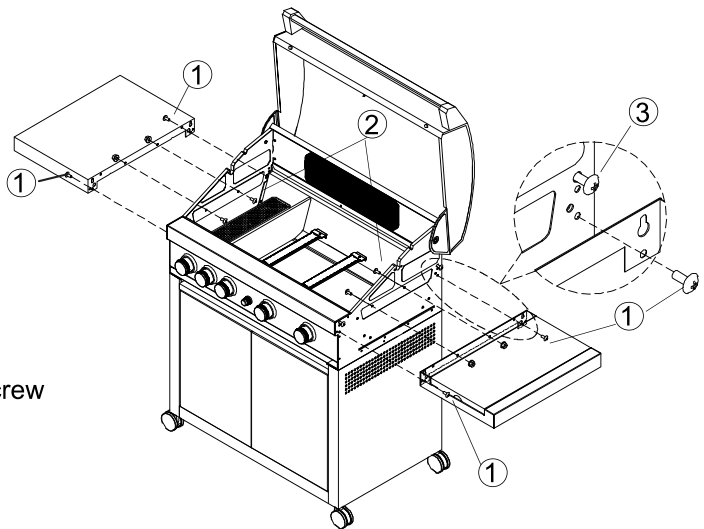
Phillips Head Screw
3/16"x1/2"
Qty.4



Flange Nut 1/4"
Qty.4

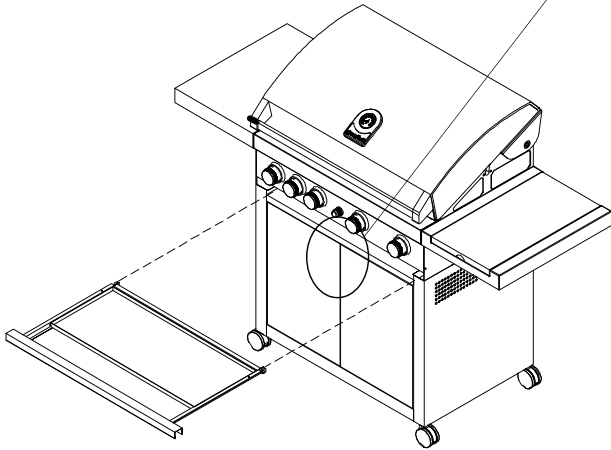


Countersunk Flat Head Screw
1/4"x1/2"
Qty.4



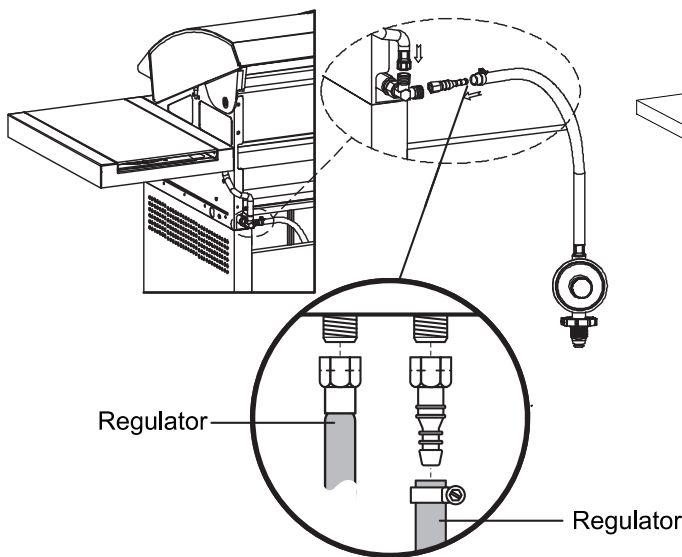
NOTE:TIGHTEN ALL SCREWS.

9. Install Grease Tray

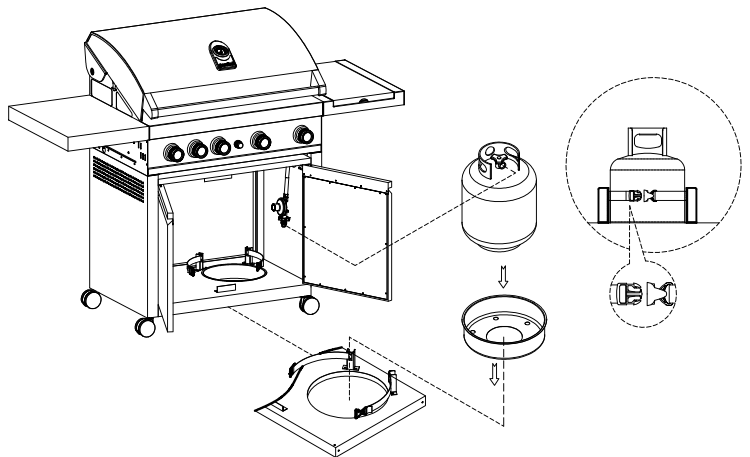


Note: If the top of the doors don't line up, adjustment may be made by adjusting the casters. Slightly unscrew one of the front casters and note the movement in the top of the doors. If the alignment become worse, screw back the caster and adjust the caster on the other side. The diagonally opposite casters may also be used if extra adjustment is required. Re-adjustment may be required if the barbecue is shifted to a different location.

10. Connect Side Burner Hose and install Regulator



11. Install Gas cylinder seat and Gas Cylinder



WARNINGS INFORMATION

(GB) DO NOT OBSTRUCT THE VENTILATION OPENINGS IN THE TROLLEY.

(FR) NE PAS BOUCHER LES OUVERTURES DE VENTILATION DANS LE CHARIOT.

(DE) NICHT DIE VENTILATIONSÖFFNUNGEN IM WAGEN BLOCKIEREN.

(IT) NON OSTRUIRE LE APERTURE DI VENTILAZIONE DEL CARRELLO.

(SI) NE OVIRAJTE PREZRAČEVALNE ODPRTINE V VOZICKU.

(NL) DE VENTILATIEOPENINGEN IN DE TROLLEY NIET BLOKKEREN.

(SE) BLOCKERA EJ VENTILATIONSHÅLEN I GRILLBAREN.

(FI) KÄRRYN TUULETUSAUKOJA EI SAA PEITTÄÄ.

(ES) NO OBSTRUYA LAS ABERTURAS DE VENTILACIÓN DEL CARRITO.

(PT) NÃO OBSTRUA AS ABERTURAS DE VENTILAÇÃO NO TRÔLEI.

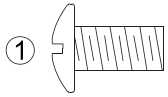
(DK) VENTILATIONSÅBNINGEN I TROLLEYEN MÅ IKKE SPÆRRES.

(NO) VENTILASJONSÅPNINGENE PÅ TRALLEN MÅ IKKE TILDEKKES.

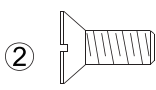
(HR) NE BLOKIRAJTE OTVORE VENTILACIJE U KOLICIMA.

ASSEMBLY - GT4RB-S

1. Install the Trim brackets Left and Right & Rear



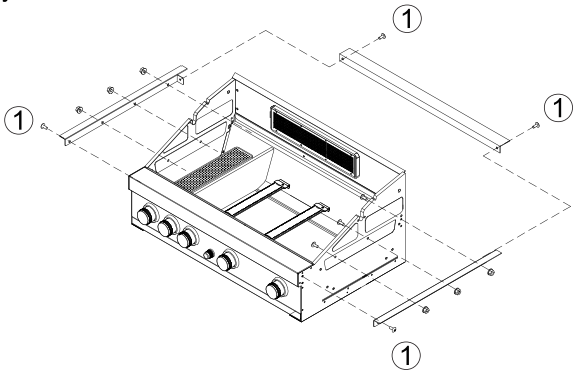
Phillips Head Screw
1/4"x3/8"
Qty.4



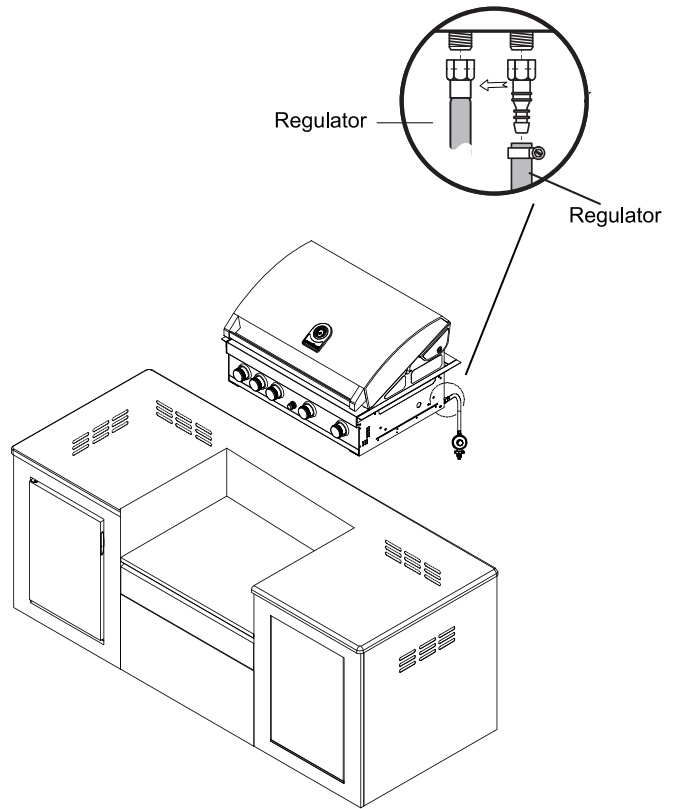
Countersunk Flat Head Screw
1/4"x3/8"
Qty.6



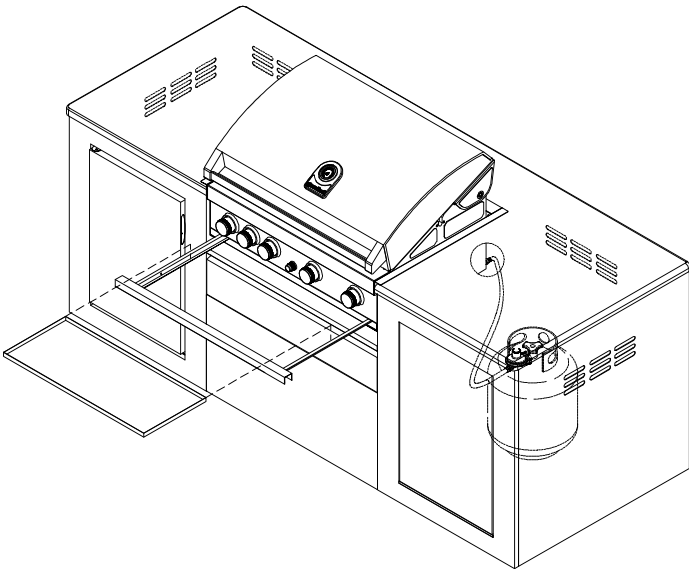
Flange Nut 1/4"
Qty.6



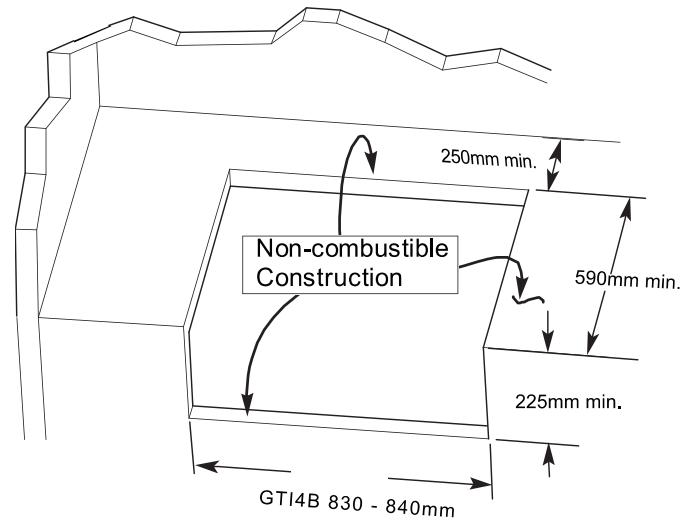
2. Regulator and Install the grill onto the housing .



3. Install Grease Tray .

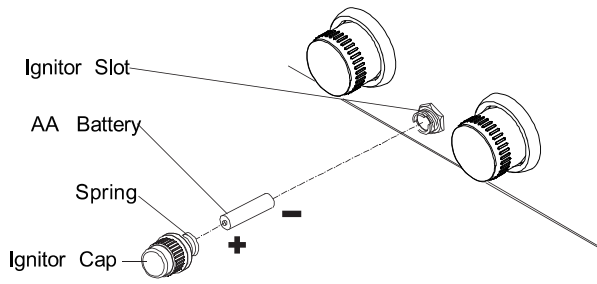


MOUNTING CUT - OUT

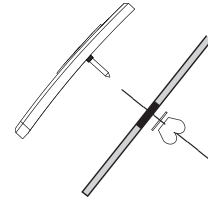


Note:the above illustration is for example only.

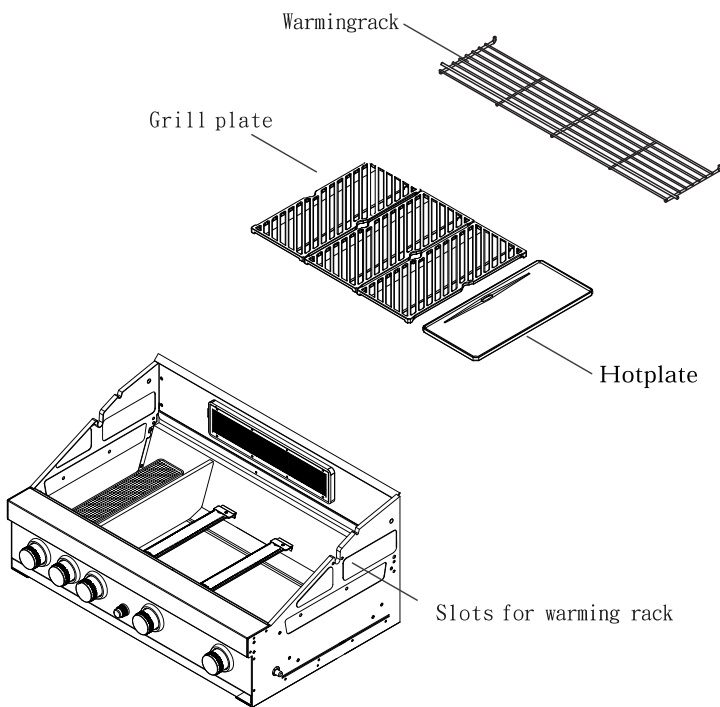
IGNITION BATTERY



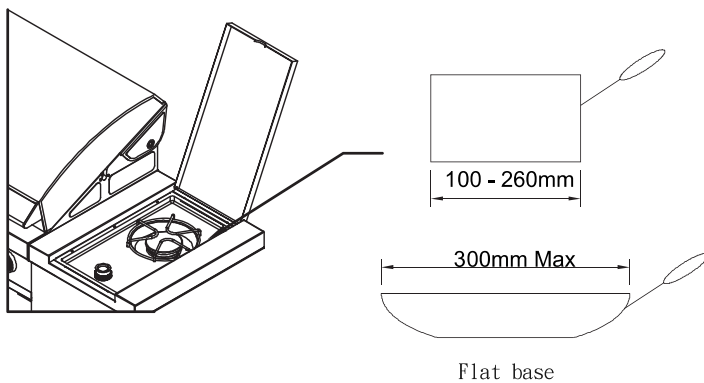
TEMPERATURE GAUGE



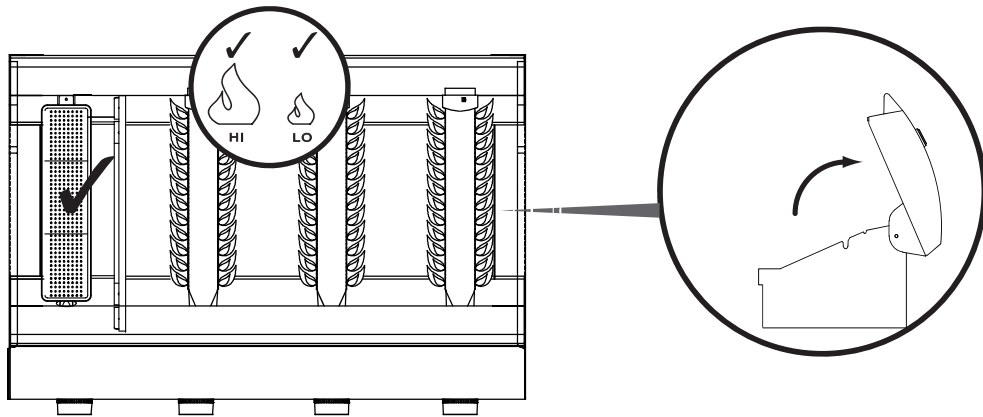
COOKING COMPONENT INSTALLATION



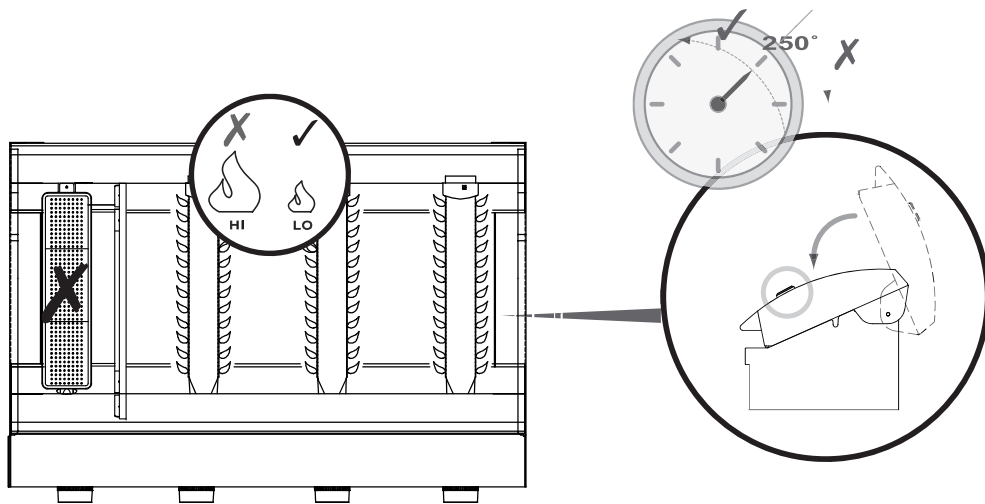
SIDE BURNER POTS



COOKING WITH HOOD OPEN



COOKING WITH HOOD DOWN



Grand Hall Europe
PO Box 431
7570 AK Oldenzaal
The Netherlands

www.grandhall.eu

(IE) (GB) NOTE: This information is a guide only. Items included in your BBQ specification may differ depending on region or specific dealer specification.

(CH) (FR) NOTE: Ces renseignements sont donnés à titre indicatif. Il est possible que les articles inclus dans les spécifications de votre barbecue diffèrent selon la région ou les caractéristiques stipulées par le concessionnaire.

(AT) (CH) (DE) ANMERKUNG: Diese Anleitung dient nur zu Informationszwecken. Einzelteile der Grillspezifikation sind unter Umständen verschieden entsprechend der Vertriebsregion oder bestimmten Händleranforderungen.

(CH) (IT) AVVERTENZA: Queste informazioni hanno il valore di guida soltanto. Gli articoli compresi nelle caratteristiche tecniche del barbecue potrebbero variare a seconda della regione o del concessionario.

(BE) (NL) ATTENTIE: Deze informatie is alleen bedoeld als gids. Onderdelen in uw BBQ specificatie en pakket kunnen per regio of per dealer verschillen.

(SE) ANM.: Denna information är endast avsedd som handledning. Specifikationerna för grillen kan variera regionalt eller beroende på de krav som olika återförsäljare har.

(FI) HUOMATKAA: Nämä tiedot ovat pelkästään suuntaa antavia. Ostamanne grillin yksityiskohdat voivat olla erilaiset paikkakunnan tai erityisten myyjäkohtaisten yksityiskohtien mukaan.

(ES) NOTA: Esta información es una guía únicamente. Es posible que las indicaciones incluidas en las especificaciones de su Asador sean diferentes según la región o las especificaciones específicas del representante.

(PT) NOTA: Esta informação é simplesmente um guia. Os itens incluídos na especificação do seu BBQ poderão diferir dependendo da especificação da região ou do vendedor específico.

(DK) NB: Denne information er kun vejledende. Specifikationer kan variere efter ønske fra forhandler, eller i henhold til nationale regler.

(NO) NB: Denne informasjon er kun veiledende. Spesifikasjoner kan variere som stipulert av forhandler, eller i henhold til nasjonale krav.

(HR) UPOZORENJE: Ova uputa služi samo u informativne svrhe. Pojedini dijelovi specifikacije roštilja su različiti od onih koji su propisani Vašim mjestom boravka ili koje su propisali razni distributeri i ovlaštenici za plinske roštilje.

(SI) OPOZORILO: Ta navodila so samo informativne narave. Posamezni deli iz specifikacije žara so lahko različni od tistih, kateri so predpisani v vaši regiji ali katere so predpisali distributerji in pooblašeni zastopniki za plinske žare.

All specifications are subject to change without notice.

Toutes les caractéristiques sont susceptibles d'être modifiées sans préavis.

Änderungen ohne vorherige Bekanntgabe vorbehalten.

Tutti i dati tecnici possono cambiare senza preavviso.

Alle specificaties kunnen zonder voorafgaande kennisgeving worden gewijzigd.

Kaikki oikeudet teknisten tietojen muutoksiin pidätetään.

Kaikki yksityiskohdat voivat muuttua ilman, etta niistä erikseen ilmoitetaan.

Todas las especificaciones están sujetas a cambios sin previo aviso.

Todas as especificações estão sujeitas a alteração sem aviso.

Moguće su promjene bez prethodnih najava.

Možne so spremembe brez predhodnih najav.

Manufacturer:

Grand Hall Enterprises Co. Ltd.
9th Fl. No 298 Rueiguang Rd
Neihu, Taipei, Taiwan

P80191031B 11/2014